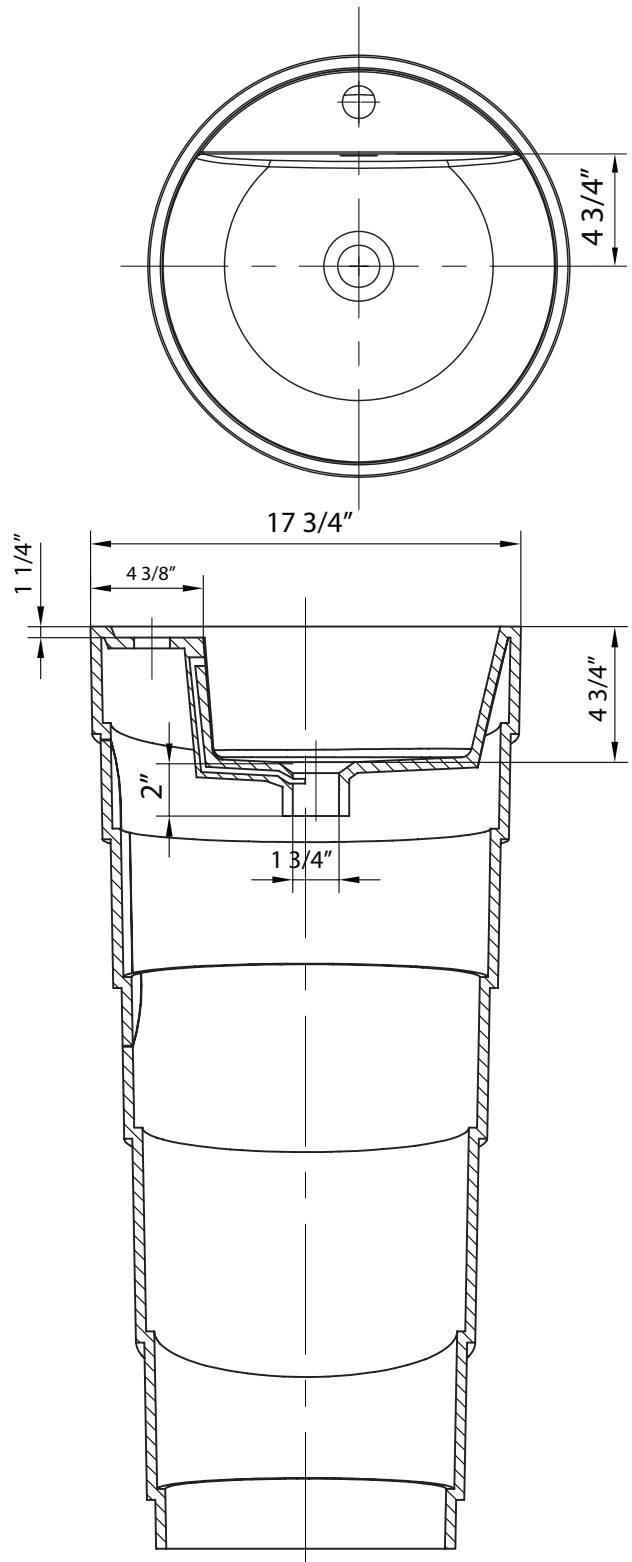
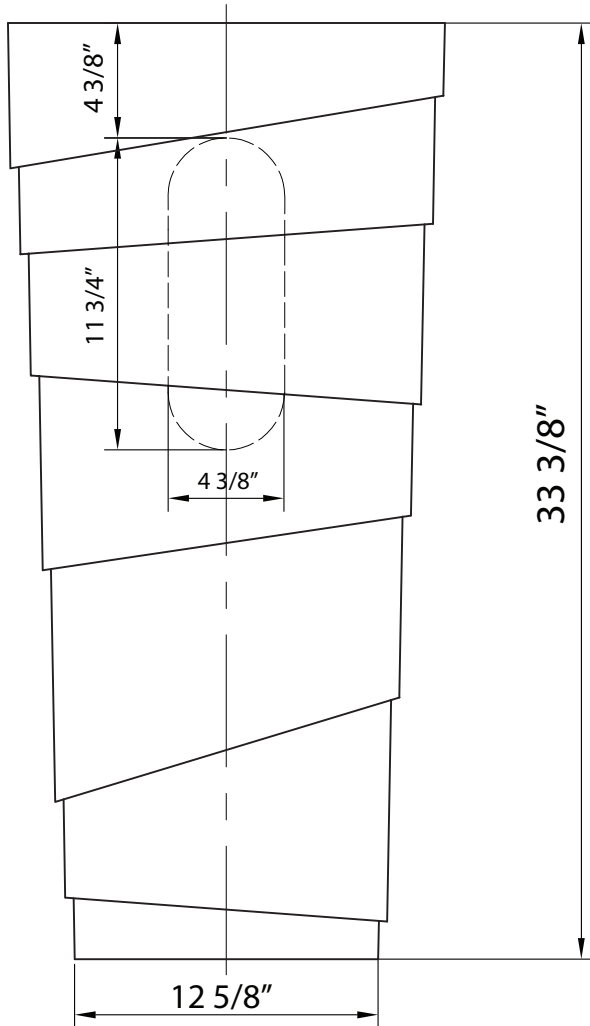


DIMENSIONS/TECHNICAL DATA



ATTENTION! Dimensions may vary by up to $\frac{3}{8}''$. It is highly recommended to pull all dimensions of actual model for installation and measuring purposes.

TECHNICAL DATA